

HD IP PTZ CAMERA USER GUIDE

PTZ N Series: V1.1

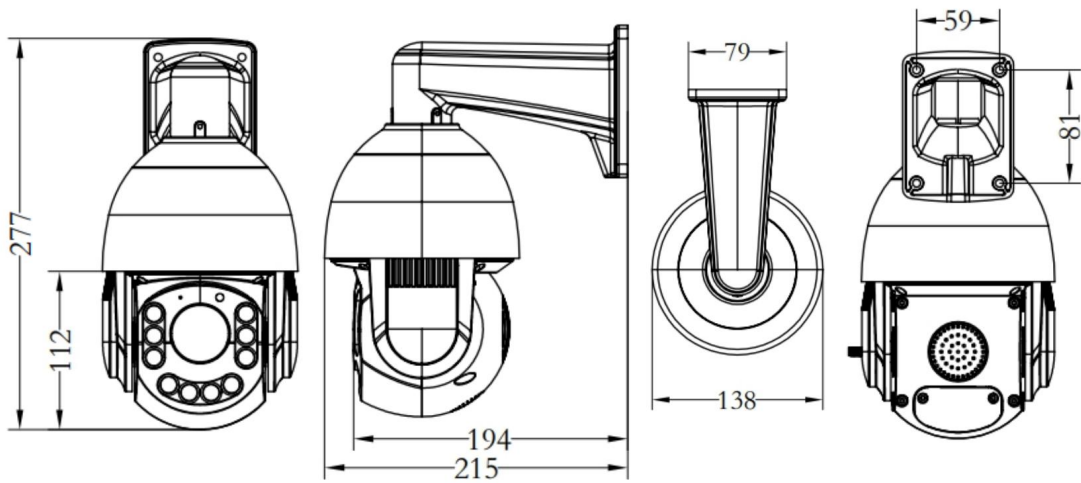
Note: This manual may contain some incorrect information, even though it was published with our carefully proofreading. The new updates will be added to the next release without notice. Your valuable advice is really appreciated.

Table of contents

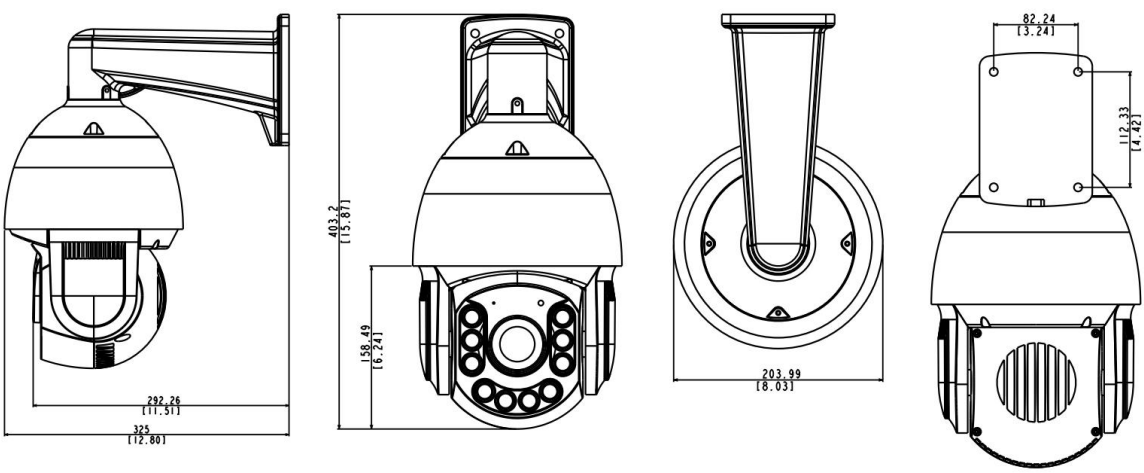
Type A (5 - inch)	3
Type B (7 - inch)	4
Type C (3 - inch)	5
Type D (2.5 - inch)	6
Type E (4 - inch)	7
Type F (3 - inch)	8
Connecting the camera to system (<i>reference only</i>)	9
Camera's IP address assignment	10
How to find out the LAN configuration via Windows GUI ?	11
Working with Internet Explorer web browser	11
Configurations	13
1) To setup the camera Time & Date	13
2) To name the camera title	13
3) TF memory card installation (optional)	14
4) Playback and Download video (optional)	15
5) Smart phone p2p remote access by scanning QR code (optional)	15
6) To setup Smart Human Detection and Vehicle Detection	16
7) * To setup Smart Line Crossing Detection	17
8) * To setup Smart Face Detection	18
9) * To setup Smart Perimeter protection	19
Working with smart Phone (Android & iPhone)	20
Genera use steps	20
Function description	21
Working with NVR	24
Appendixes for advanced commands	25
Type A and B	25
Type E:	26
Frequently Asked Questions	28

1. Why can't I open the default IP address 192.168.0.123 via web browser? ...	28
2. How to reset the password?	28
3. How to upgrade the IP camera?	28
4. How to fetch the RTSP video stream and http snapshot?	28
5. How to Add IP camera to NVR?	28
6. How to make the NVR record in motion detection mode?	28
7. Where can i control the PTZ zoom and move?	28
8. Which kinds of third-party security software can be compatible with?	28

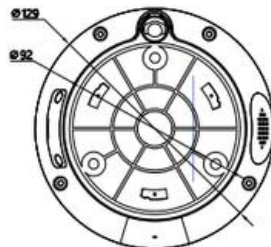
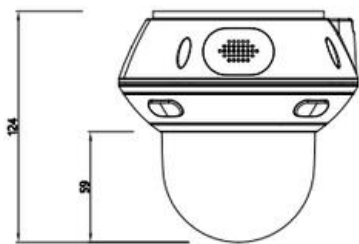
Type A (5 - inch)



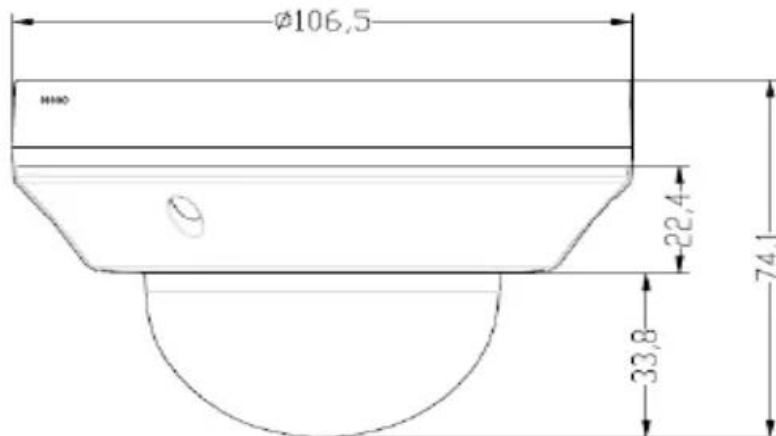
Type B (7 - inch)



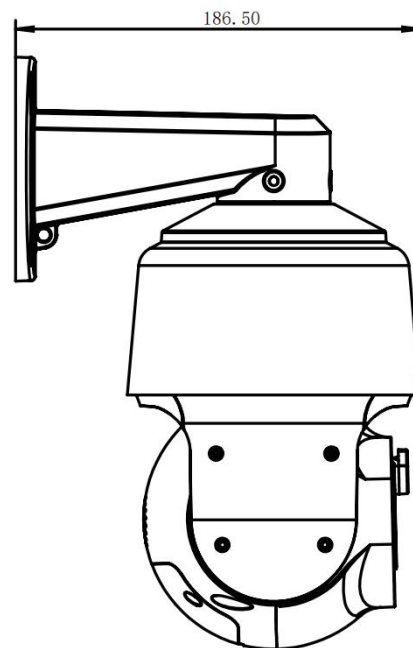
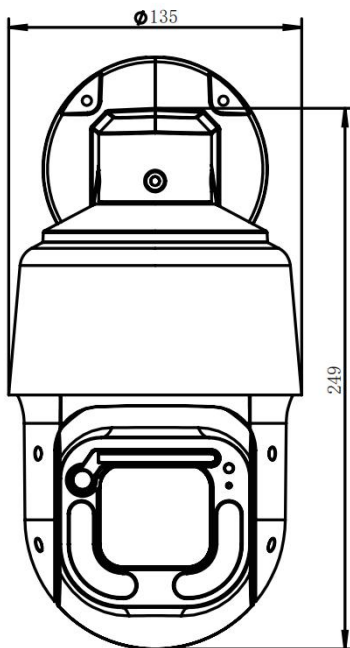
Type C (3 - inch)



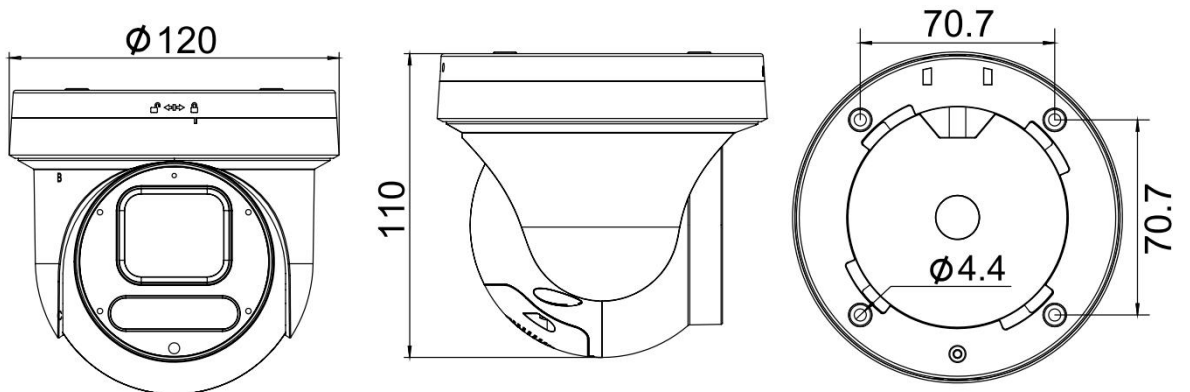
Type D (2.5 - inch)



Type E (4 - inch)



Type F (3 - inch)



Connecting the camera to system (reference only)

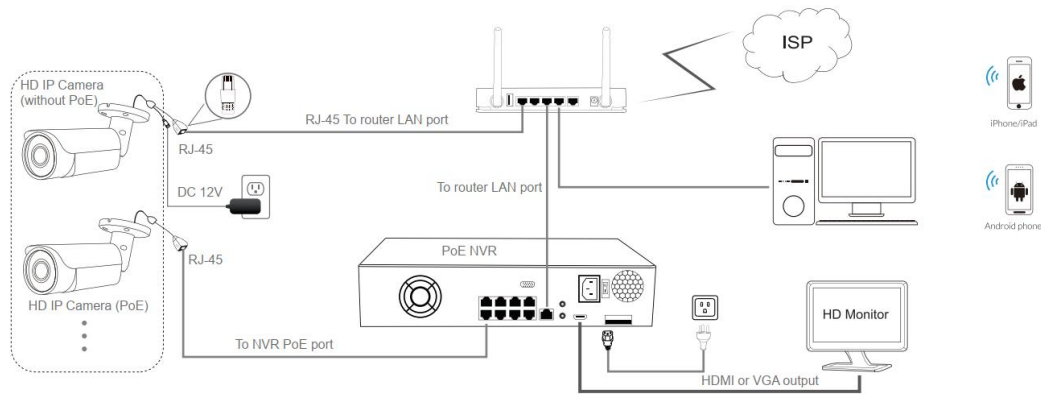


Figure 1: Working With PoE NVR

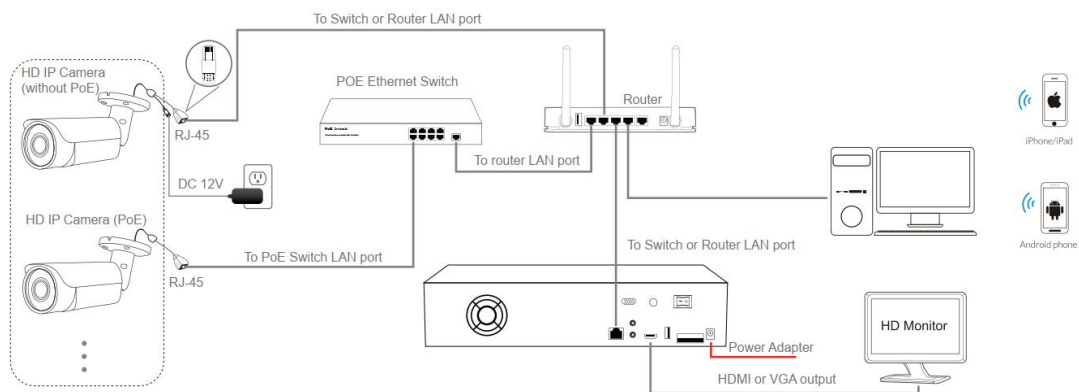


Figure 2: Working With PoE switch and NVR

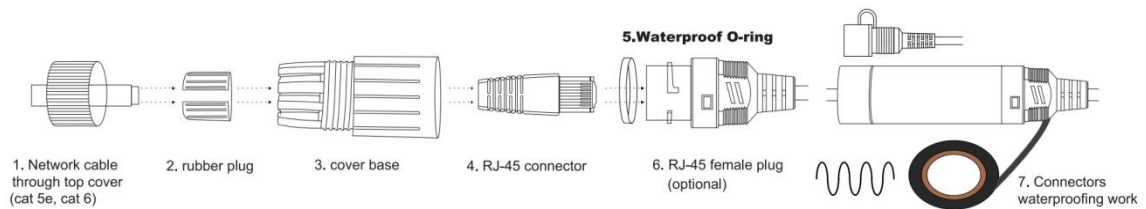


Figure 3: Waterproofing work (network connector)

Note:

1. The camera should be connected to an OPTIONAL 12 volt power supply if you do not use PoE (Power over Ethernet).
2. A Windows computer is more convenient to setup and troubleshooting.
3. It is very important that network connector waterproofing work should be more carefully on the outdoor operating.

Camera's IP address assignment

Default IP address: 192.168.0.123 (**DHCP**)

Username: admin, **Password:** 123456

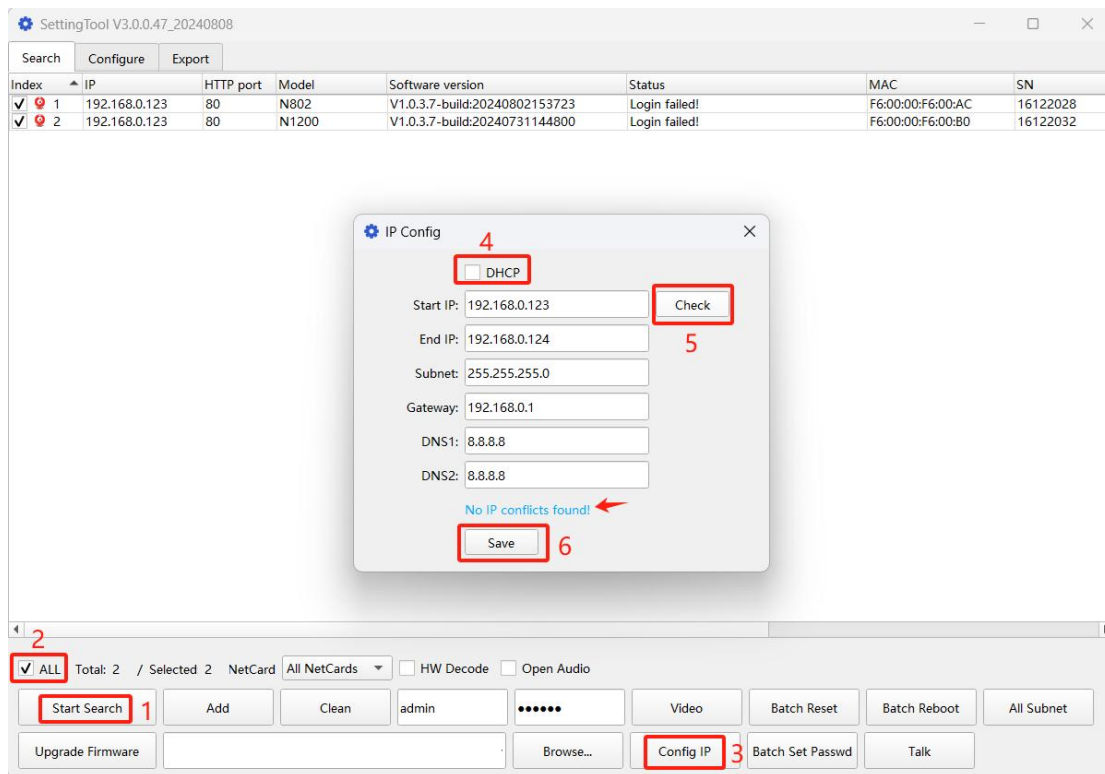
(We strongly recommend modifying the default password for your security).

Obtaining IP settings automatically by DHCP

This series camera default network configuration is **DHCP** mode, you can get IP settings assigned automatically from the LAN router or DHCP server, otherwise, the camera will set its own IP address to **192.168.0.123** in a few seconds for local access. The camera will save the obtained IP settings to **static** configuration after 24 hours continues running to keep your system working more stable.

You can install the **device search tool** to quickly configure the IP camera.

- Using Device Search Tool (SettingTool)

A screenshot of the SettingTool V3.0.0.47_20240808 application window. The window has a menu bar with 'Search', 'Configure', and 'Export'. Below the menu bar is a table with columns: Index, IP, HTTP port, Model, Software version, Status, MAC, and SN. The table contains two rows, both with 'Login failed!' in the Status column. A red box labeled '2' is around the 'ALL' checkbox in the bottom left. A red box labeled '1' is around the 'Start Search' button. A red box labeled '3' is around the 'Config IP' button. A red box labeled '4' is around the 'DHCP' radio button in the 'IP Config' dialog. A red box labeled '5' is around the 'Check' button. A red box labeled '6' is around the 'Save' button. A red arrow points to the 'No IP conflicts found!' message in the dialog. The bottom of the window has a toolbar with buttons for 'Start Search', 'Add', 'Clean', 'admin', 'Video', 'Batch Reset', 'Batch Reboot', 'All Subnet', 'Upgrade Firmware', 'Browse...', 'Config IP', 'Batch Set Passwd', and 'Talk'.

Click **Start Search** and all your cameras in the LAN will be listed in seconds.

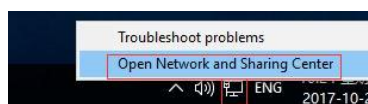
If you prefer to assign camera IP address manually, you'd better confirm the IP network planning and avoid IP address conflict.

It is user-friendly that the search tool can calculate the selected cameras number to match the range of Start IP and End IP.

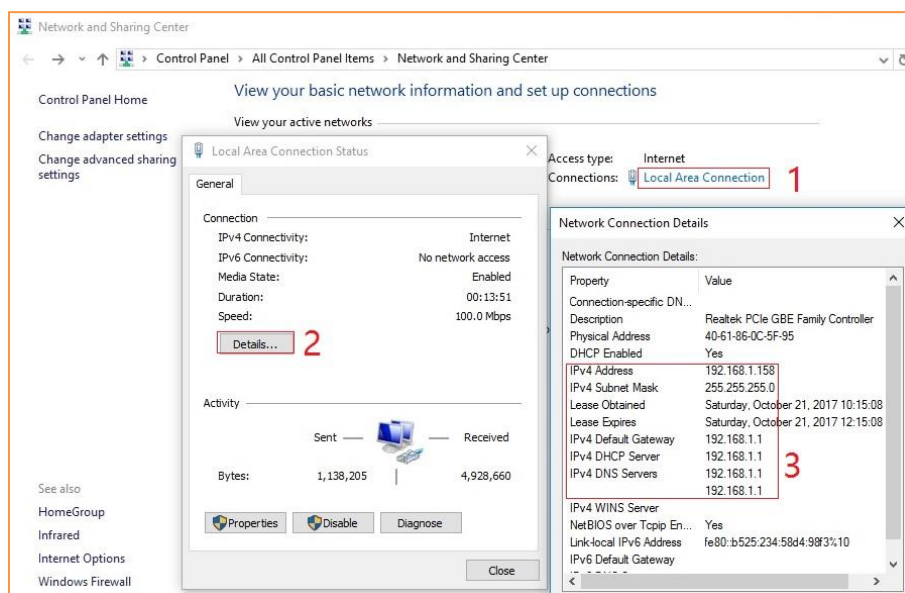
Tips:

1. **Net Card:** Only select the desired network adapter to search
2. **Batch Reset:** Restore to factory default settings;
3. **Video Preview:** Double-click list items;
4. **Go to Web:** right-click list item and select web;
5. **Upgrade Firmware:** Select the check-box, click **Browse** then click **Upgrade Firmware**.

How to find out the LAN configuration via Windows GUI ?



Right-click on the Network icon and select **open Network and Sharing Center**.

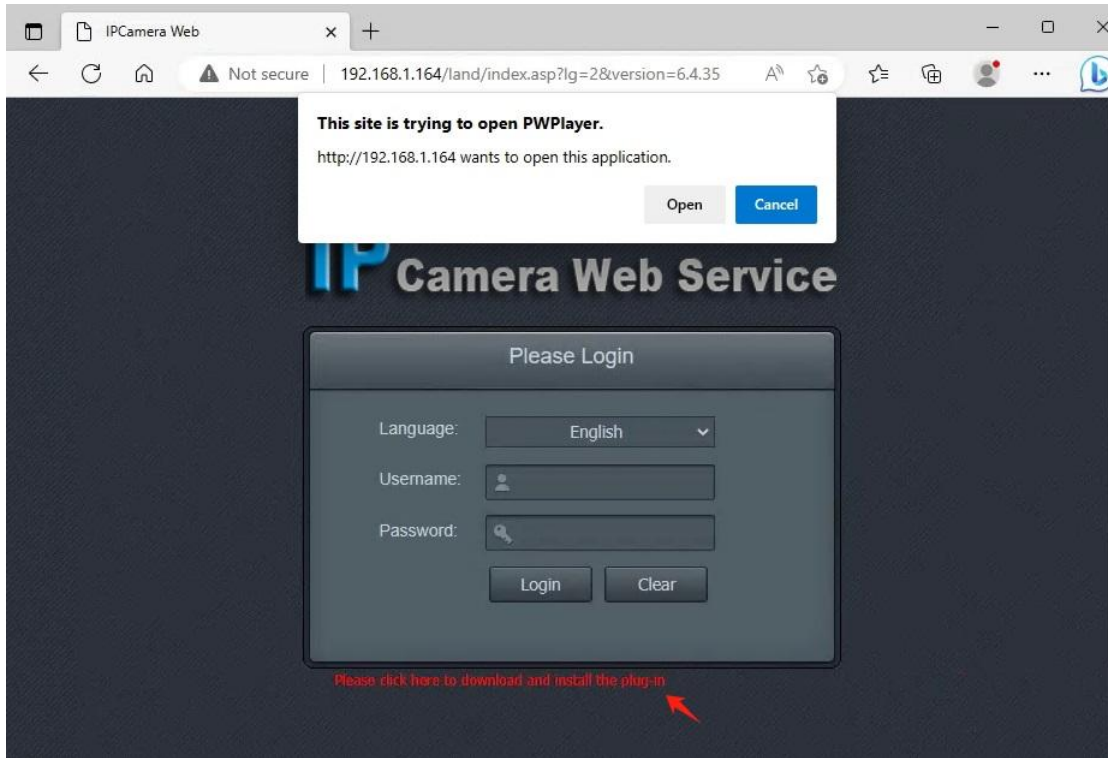


Working with Internet Explorer web browser

To access the camera's web interface, type in the IP camera's IP address in Internet Explorer's URL bar to gain access to the login page.

Please check your current network connection or modify IP address to the same subnet if login page can not load.

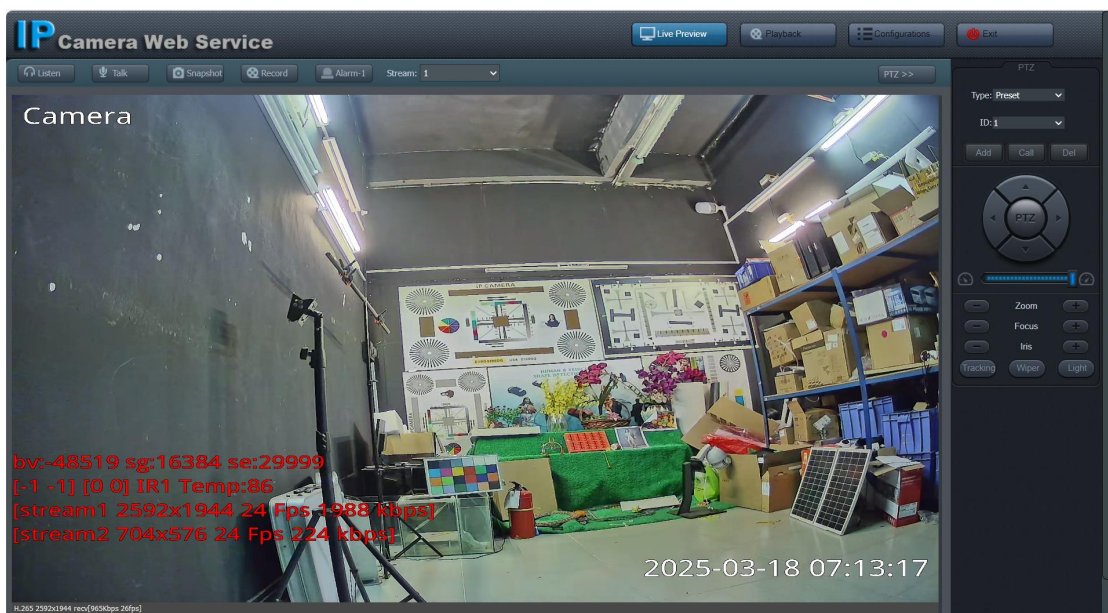
(Default user name: **admin**, Password: **123456**)



You can use Chrome , Edge, Firefox ,safari to access the camera web service page. (Windows OS perfect supported with plug-in, other OS just can use HTML5 plug-in free)

At the first time login, the web browser will prompt plug-in link to download for video player. Please download and install it without worry about the security.

After restart or refresh your web browser and allow the plug-in player to run. The live video will start playing automatically after login successfully.



Note:

1. Windows OS is perfect supported , other OS may lack of some functions play less smoothly because of the HTML5 decoding efficiency.

2. Click "PTZ >>" to extend the PTZ control menu. **For advanced command functions please check the corresponding appendix.**

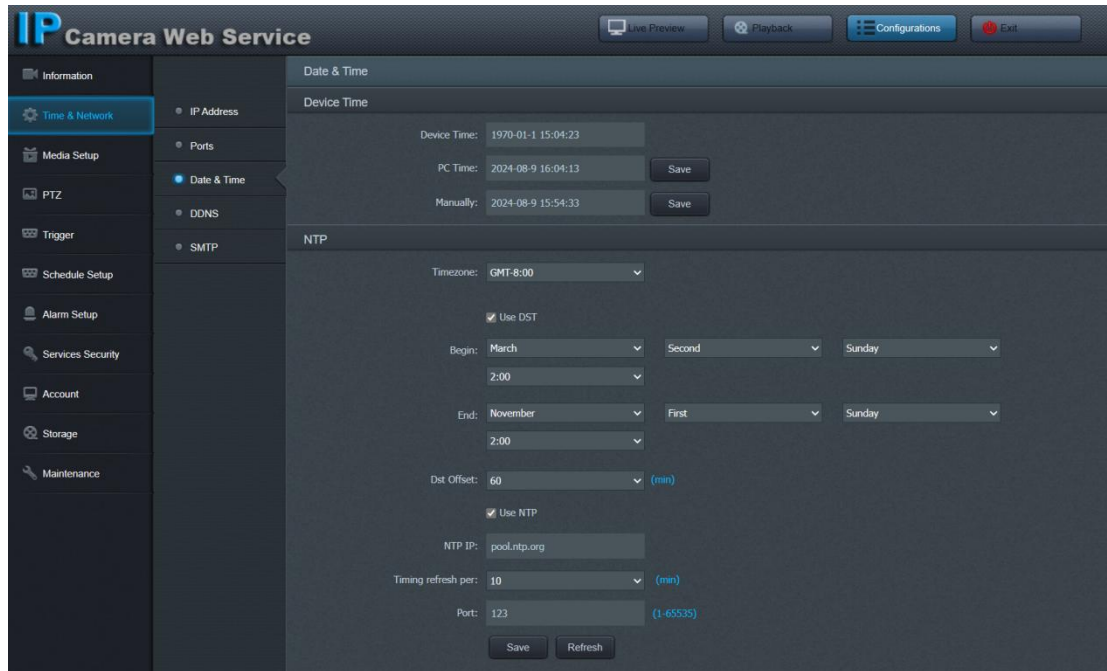
3. Keeping pressing on live video and dragging for **Digital Zoom**. (Windows only)

4. If there is a delay in video response when accessing remotely, please switch to Sub Stream instead.

Configurations

1) To setup the camera **Time & Date**

➤ **Configurations > Time&Network > Date&Time**



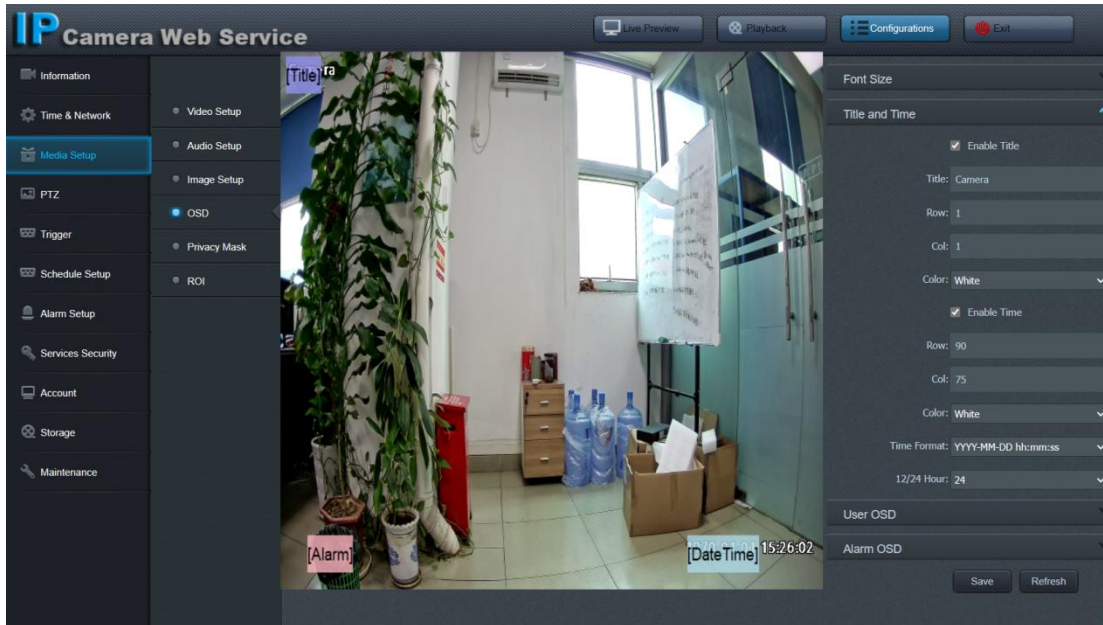
There are two time update modes available - **Manual (Sync with PC)** and **NTP**.

DST (daylight-saving time) is available for time offset adjust automatically.

NTP (network time protocol) is used for scheduled getting correct date and time from Internet automatically.

2) To name the camera title

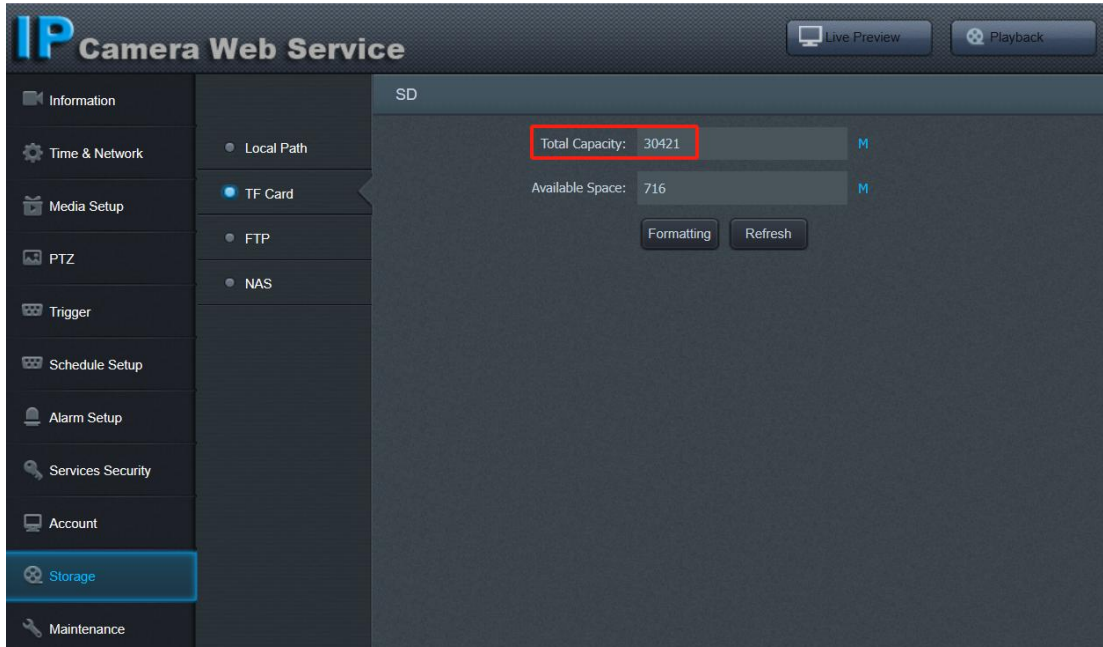
➤ **Configurations > Media Setup > OSD**



Modify the title as you need, drag the items to adjust the showing position (if needed), click Save.

3) TF memory card installation (optional)

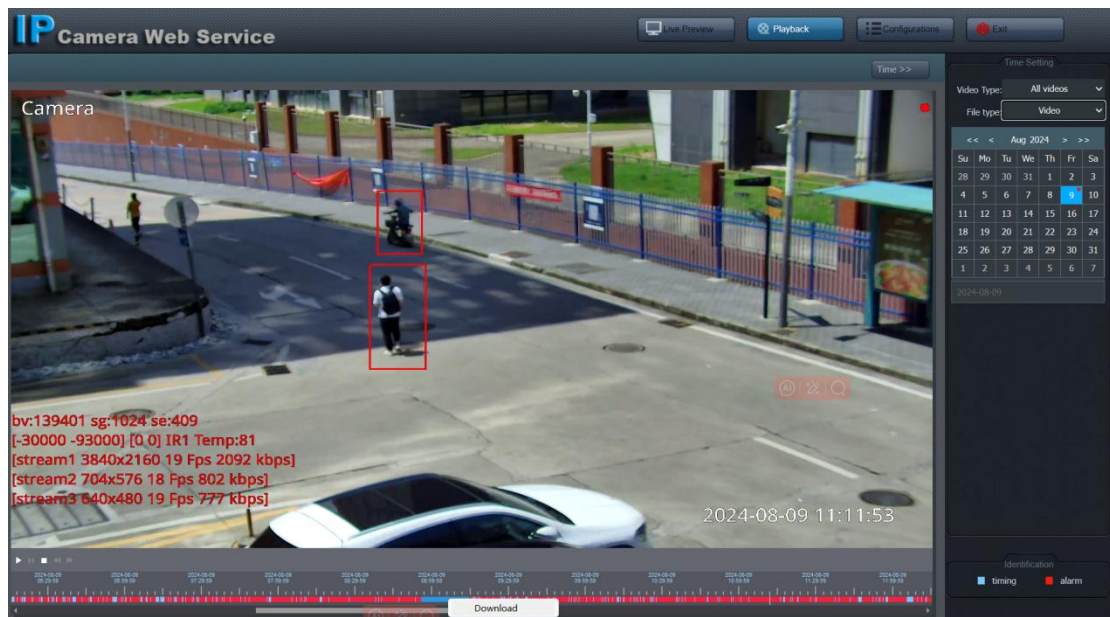
➤ **Configurations > Storage > TF Card (with Micro-SD slot only)**



It is suggested to install the memory card (Class10: 32GB - 512GB) for local storage if you need playback from camera.

Once memory card inserted, camera will format it , show capacity and start 24 hours recording with a red status icon at the top-right corner of the video automatically.

4) Playback and Download video (optional)



When memory card installed there is a red dot icon at the live video top-right corner , user can search and playback the inside videos and pictures.

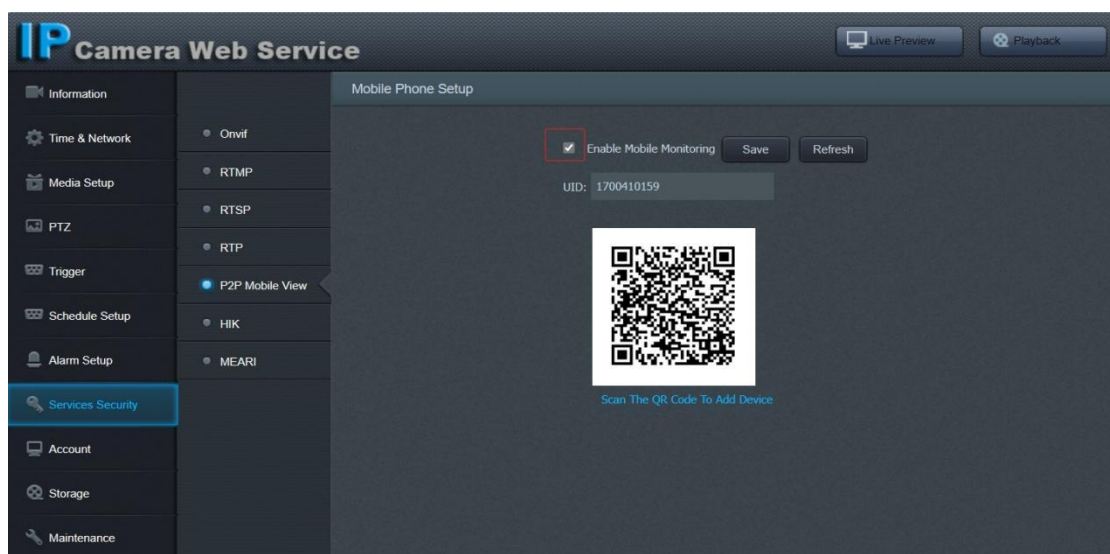
Playback: click **Playback** button, select desired date from right calendar, double-click the time bar (red is event recording, blue is normal record).

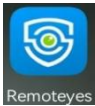
Backup: scrolling mouse wheel to zoom in on time bar, drag to select the video clip, right-click and click the **Download** menu.

File path: C:\Users\<<your name>\AppData\Local\NsdPlayerV4\record

5) Smart phone p2p remote access by scanning QR code (optional)

➤ **Configurations > Services Security > P2P mobile view (Enable manually)**





1. Install app "remoteyes" from Google Play Store or Apple Store
2. Scan camera p2p QR code to add device

6) To setup Smart **Human Detection** and **Vehicle Detection**

➤ **Configurations > Alarm Setup > Human Vehicle Detection**

Action trigger	status
snap	<input type="checkbox"/>
record	<input type="checkbox"/>
relay	<input type="checkbox"/>
light	<input type="checkbox"/>
voice	<input type="checkbox"/>

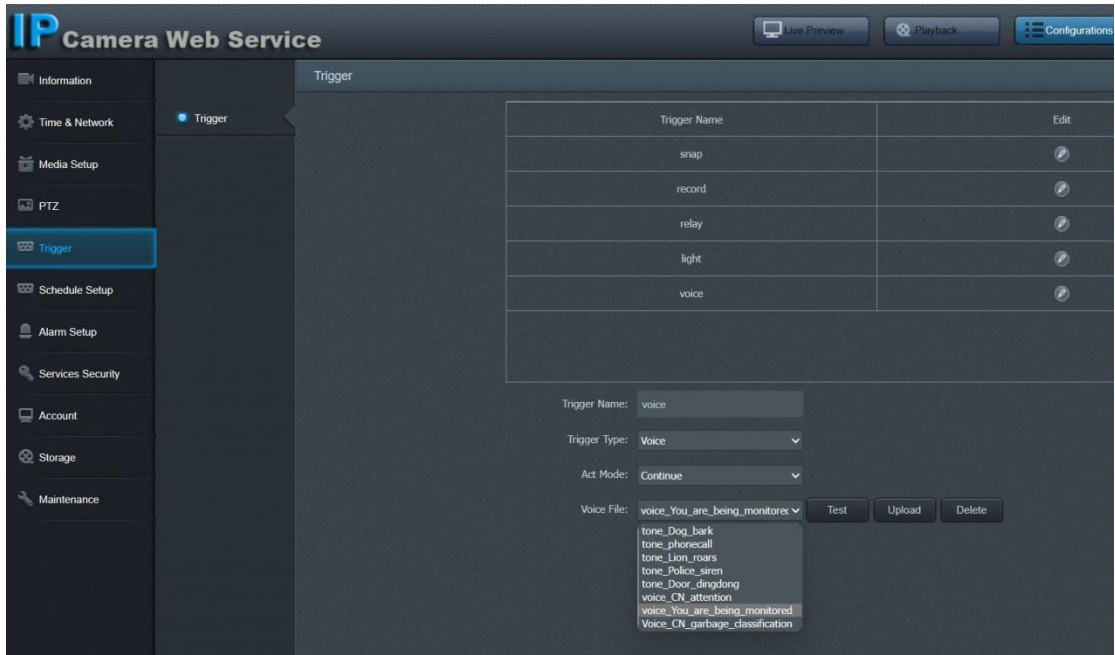
Detection target: human / vehicle / bicycle

Detection Area: default full-screen / user-defined drawing

Show target box: display a rectangular border to surround the target

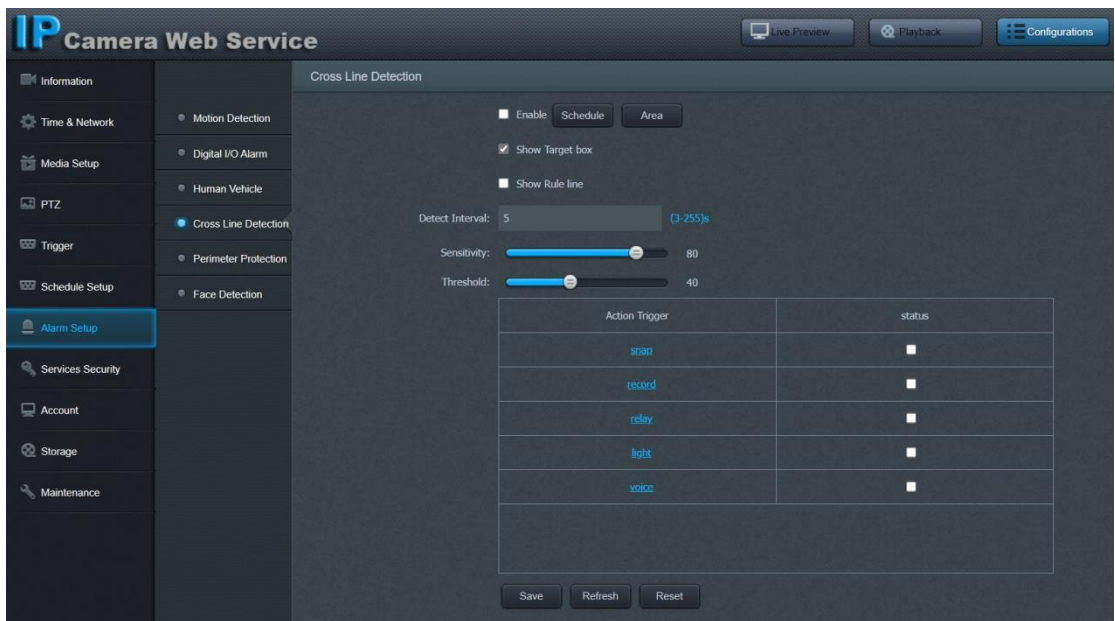
Threshold: filter small target

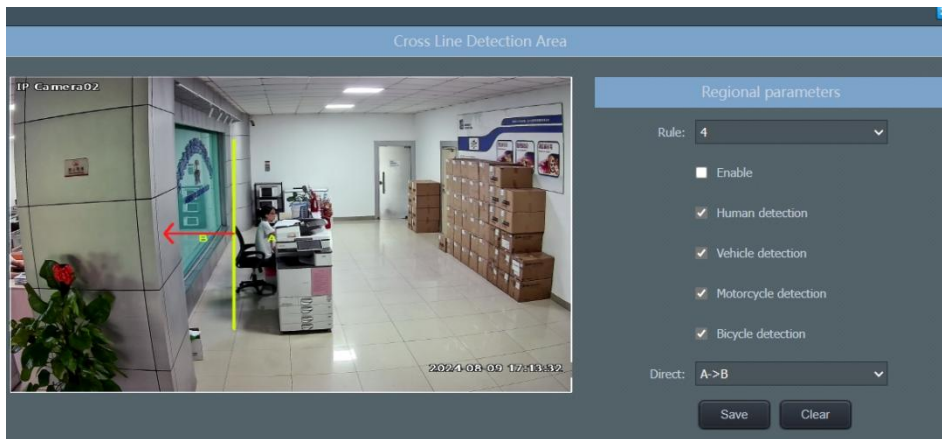
- Action trigger:**
1. snap -- trigger snapshot when event happen;
 2. record- trigger snapshot when event happen;
 3. relay -- trigger alarm out relay and red&blue flashing;
 4. light -- trigger white lights flashing as warning;
 5. voice -- trigger loud speaker voice or tones playing



7) * To setup Smart **Line Crossing Detection**

➤ **Configurations > Alarm Setup > Cross Line Detection**

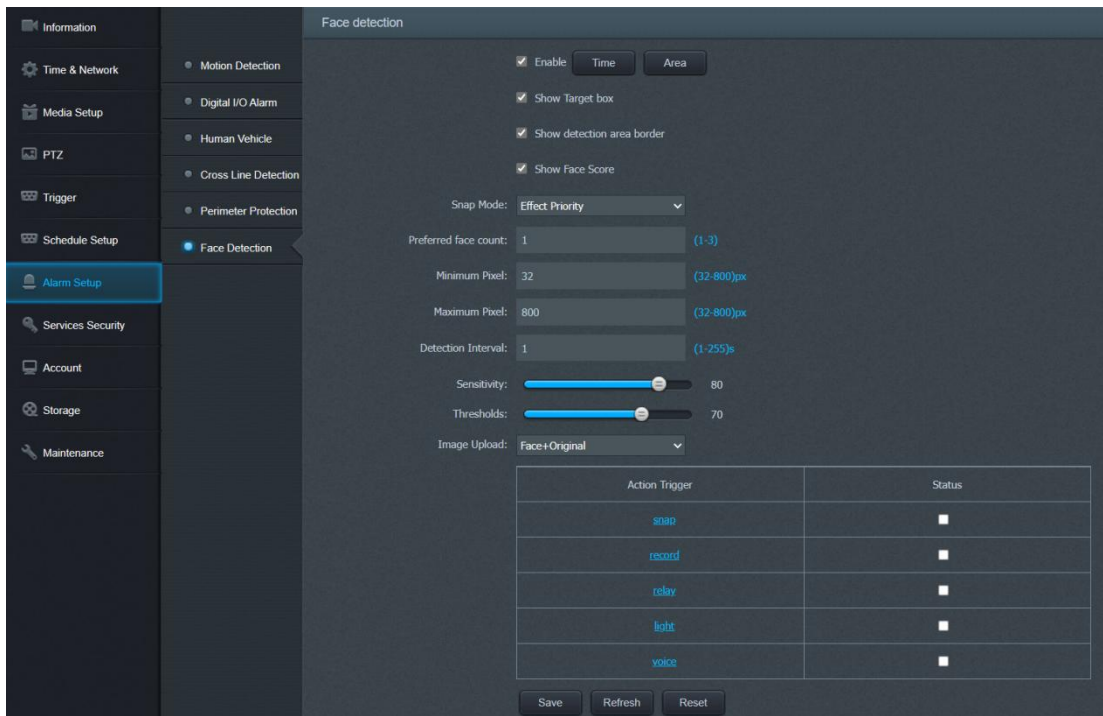




- Setup step: 1. check the **main enable** checkbox;
2. click "Area" , select a rule and check the **sub enable** checkbox;
 3. drawing alarm rule line when needed;
 4. select detection target and moving direction (A->B, B->A, A<->B);
 5. select the trigger actions when desired.

8) * To setup Smart **Face Detection**

➤ **Configurations > Alarm Setup > Face Detection**

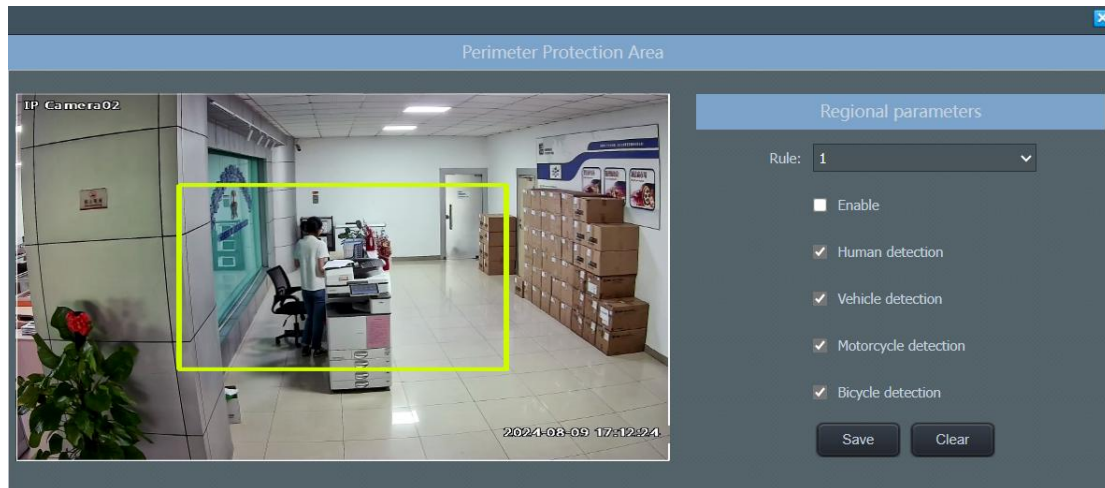


- Setup step: 1. check the **Enable** checkbox;

2. click "**Area**" (default full-screen)
3. drawing detect area or schedule when needed;
4. select the trigger actions when desired.

9) * To setup Smart **Perimeter protection**

➤ **Configurations > Alarm Setup > Perimeter protection**



Setup step: 1. check the **main enable** checkbox;

2. click "**Area**" , select a rule and check the **sub enable** checkbox;
3. drawing alarm rule block when needed;
3. select detection target
4. select the trigger actions when desired.

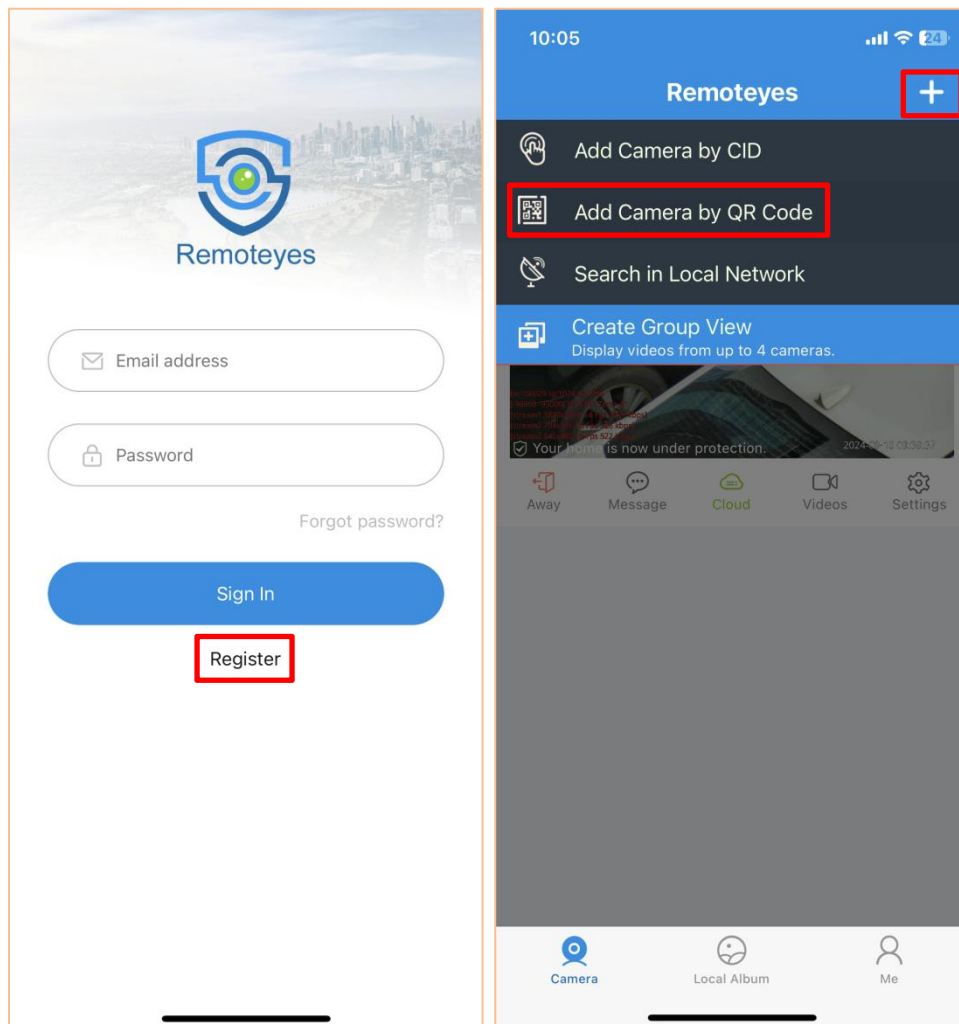
Using the P2P UID and QR code, you can access the camera remotely anywhere via smart phone with Internet access. Please register an account via mobile phone after installing the "**remoteyes**" APP from **Apple Store** or **Google Play Store**, then log in and add your camera to start previewing.

Tips:

If the **Login Status** shows **Offline**, please check your Internet connection and IP camera **TCP/IP Network** configurations. Please make sure to use a valid IP address, Gateway and DNS server in the TCP/IP Network settings.

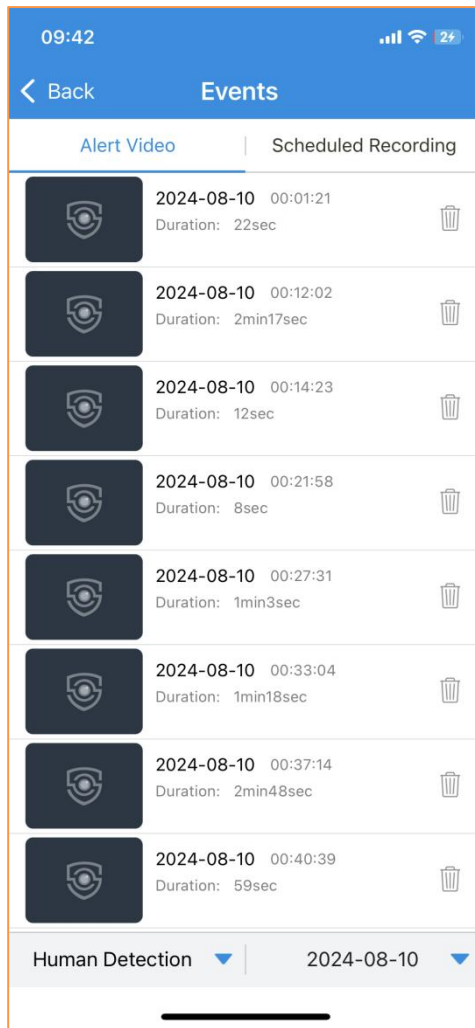
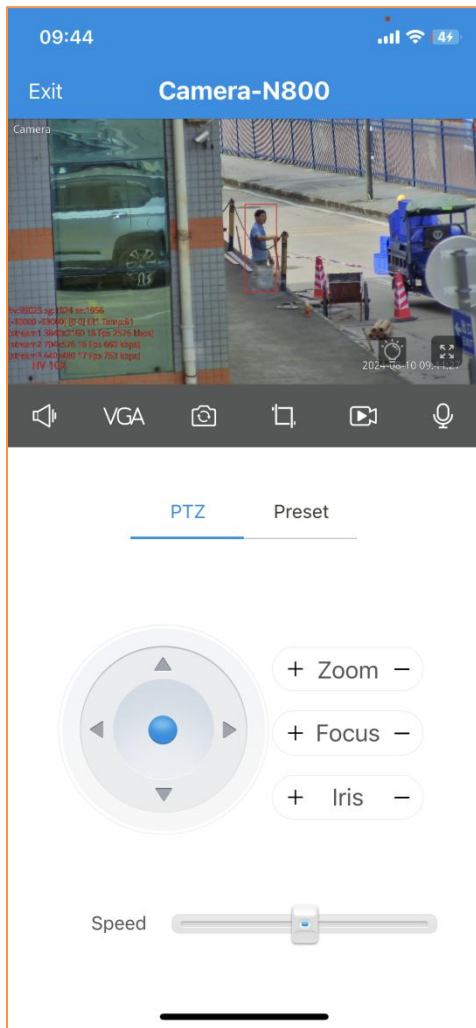
Working with smart Phone (Android & iPhone)

Visit the **Apple Store** or the **Google Play Store** to download the **remoteyes** app for iOS or Android devices. After installation, tap the icon to launch the **remoteyes** app. For the first time use, please create a new account.














General use steps

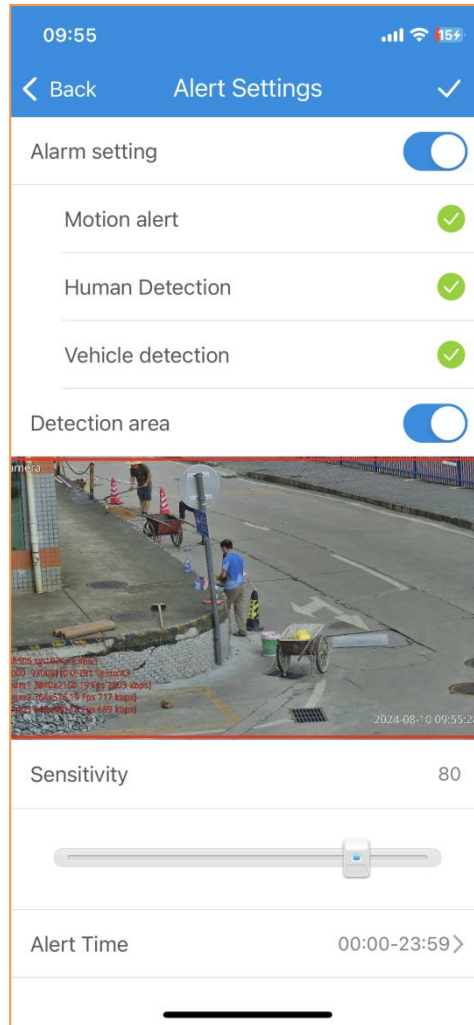
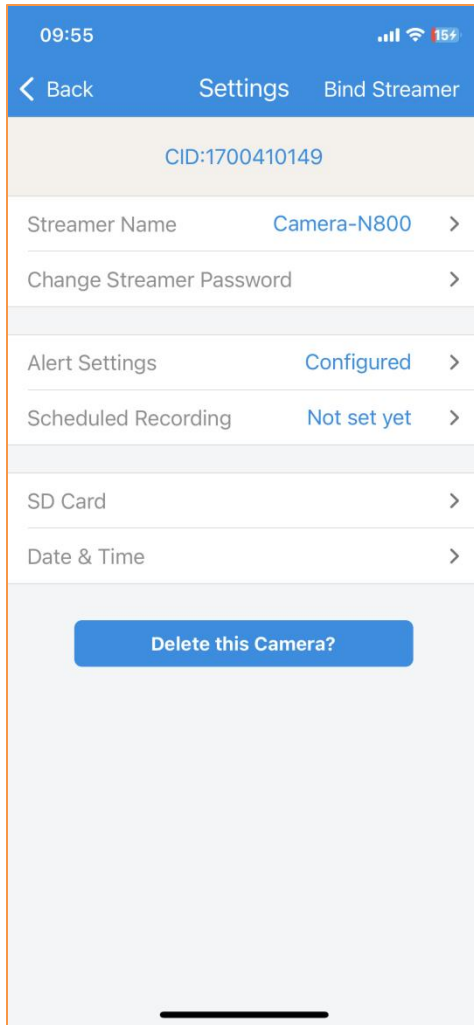
1. For new users, please tap **CREATE NEW ACCOUNT** to register an account
2. Tap "+" select **"Add Camera by QR Code"**
3. Get into the camera QR code web page (**Configurations > Services Security > P2P mobile view (Enable manually)**)
4. Put the IP camera QR code in the app effective scan area to finish adding
5. Tap the camera list to start live video



Function description

Icon	Function description
 Away	Away / Home : push notifications or not
 Message	Additional Cloud paid service
 Cloud	Additional Cloud paid service

 Videos	Video playback
 Settings	Go to camera settings
	Switch HD or SD live resolution
	Rotate camera image direction
	Take snapshot
	Record video clip
	Start two-way audio intercom
	Change night mode (IR / Color / Auto)



Note:

if you cannot connect the camera, please check your Internet connection and verify the IP address, gateway, and DNS setting in the camera.

The Cloud login status should be **online**, which means the camera has registered to the cloud server.

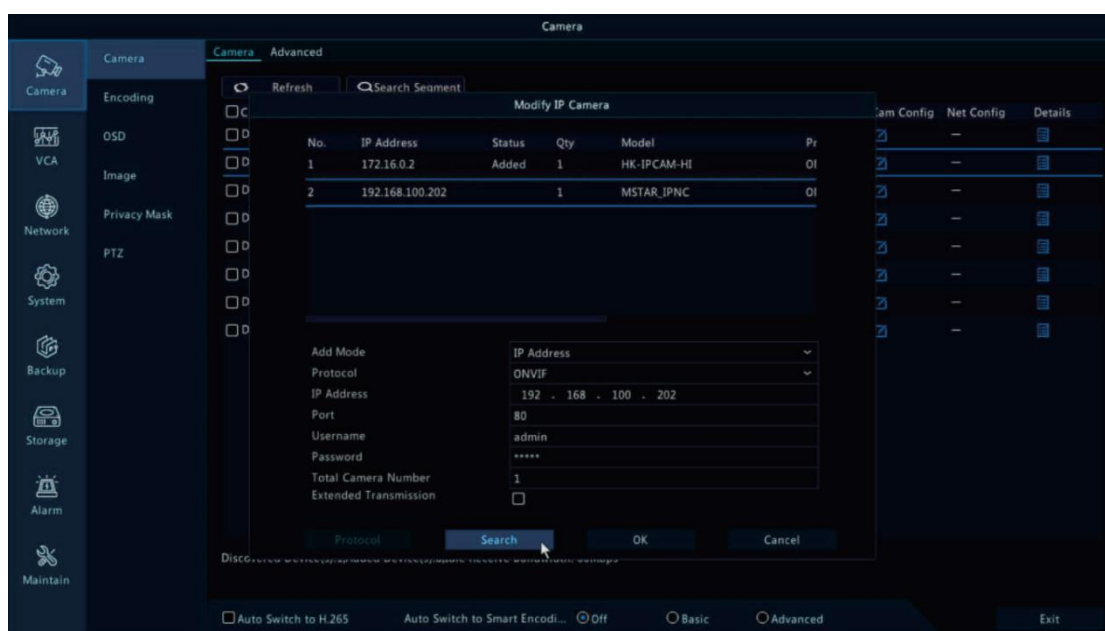
You may also want to connect your phone to WiFi for better performance.

Working with NVR

The IP camera supports standard ONVIF protocol and it can be added to third-party video recorder.

Some of the models support both H.264 and H.265 encode mode. The H.265 encode cameras can compress the video data to a very low bit rates which allows more video data storage than normal H.264 camera.

Before pairing cameras to the NVR, make sure the NVR and cameras have valid and matching IP address scheme.



Note: Some of the PoE NVR supports **Plug & play**, which allows you to get video without manually search and add. if **Plug & play** feature is not available or not compatible, please follow the NVR manual steps and select **ONVIF** protocol as the pairing protocol. (*Camera default password: 123456*)

If the POE NVR can not discover the connected camera or can not display the camera video , please check it's internal POE interface IP configuration and make sure all connected cameras and NVR POE interface are in the same subnet schema.

For more help please contact the both NVR and IP camera suppliers for technical assistance.

Appendixes for advanced commands

Type A and B

YS20X-Y-L PTZ		
Functions	Commands	Default
Patrol 1(preset1-16)	Call 41	
Patrol 2(preset17-32)	Call 42	
Delete All Presets	Call 33	
Patrol dwell time (4s)	Set 51	10S
Patrol dwell time (6s)	Set 52	
Patrol dwell time (8s)	Set 53	
Patrol dwell time (10s)	Set 54	
Patrol dwell time (12s)	Set 55	
Set Patrol Speed	Set 115 then Set N (N:1-64)	64
Track:Max time	Set 93 then Set N (N:20-255)	60S
Track:target loss return time	Set 94 then Set N (N:1-255)	20S
Track:home position	Set 56	
Track:start position tracking	Call 56	
Track:start patrol tracking	Call 57	
Track:stop tracking	Call 58	
Start horizontal 360 scan	Call 96/97/98/99/100	
Start A-B scan	Call 38	
Stop A-B scan	Set 38	
Set left position	Set 35	
Set right position	Set 36	
Set A-B scan speed	Set 60	61
	Set 61	
	Set 62	
	Set 63	

	Set 64	
Idle action	Enable:Call 105	disabled
	Disable:Set 105	
Idle action type	Call 101: Home position (preset 1)	
	Call 102: horizontal 360 scan	
	Call 103: A-B scan	
	Call 104: Patrol 1	
Idle action start time	Set 117 then Set N (N:1-254)	90S
Reset factory	Call 115	
Init H/V position sensor	Call 34	
Set Max rotate speed	Set 113 then Set N (N:1-64)	40
Lens Init	Set 253 then Call 252	

Type E:

Functions	Commands
Start wiper	Call 71
Tracking Home position	Set 88
Start preset tracking	Call 97
Start patrol tracking	Call 98 (use patrol 1)
stop tracking	Set 96
Horizontal speed	Set 150 then set n (n=1-100)
Vertical speed	Set 151 then set n (n=1-100)
IR mode Auto	Call 137 (default)
IR ON	Call 138
IR OFF	Call 139
IR sensitivity	Set 91 then set n (n=1-10, default 6)
IR power	Set 122 then Set n (n=1-10, default 8)
Start horizontal 360 scan	Call 120

Horizontal speed	Set 121 then Set N (N=1-100 default 50)
Start patrol 1	Call 101 (preset 1-32)
Patrol speed	Set 115 then Set N (N=1-100 default 80)
Patrol dwell time	Set 123 then Set N (N=3-10 default 5)
Left position	Set 81
Right position	Set 82
Start A - B scan	Call 83
Stop A - B scan	Set 83
A - B scan speed	Set 141 then Set N (N=1-10 default 5)
Enable Home Position	Set 125 (default 2 minutes return home position)
Remove Home Position	Call 125
Go home position time	Set 126 then Set N(N=1-10, default 2 minutes return home position)
Disable Idle action	Call 131
Idle action type	Set 131 then Call 1 : Return Home position (preset 1) Set 131 then Call 97: preset tracking Set 131 then Call 98: patrol tracking Set 131 then Call 83: A - B scan Set 131 then Call 120: horizontal 360 scan
Idle action start time	Set 132 then Set N (N=1-30,default 2 minutes)
Focus mode	Set 77 then Set N (N=1 zoom,N=2 zoom or move, N=3 Auto)
Focus distance	Set 78 then CALL N (N=1 1.5m,N=2 3m, N=3 6m, N=4 infinity)
Erase All presets	Call 100
Init H/V position sensor	Set 107 then Call 64
Reset Factory	Call 106 then Call 64

Frequently Asked Questions

1. Why can't I open the default IP address 192.168.0.123 via web browser?

The camera is working at DHCP mode by default, it will obtain the IP settings from router automatically . Please install the IP search tool to find the camera's IP address. Camera IP address will be 192.168.0.123 if no router in the LAN.

2. How to reset the password?

- 1) install the Setting tool to search the camera IP and click **Batch Reset** button.
- 2) if the camera with a built-in hardware reset button and easy touched, just keep pressing it around 10 second.

3. How to upgrade the IP camera?

- 1) ask the supplier for the suitable firmware,
- 2) use the web browser, search tool or NVR to upgrade the camera,

4. How to fetch the RTSP video stream and http snapshot?

- 1) VLC test Main Stream: rtsp://admin:123456@IP:554/media/live/1/1
- 2) VLC test Sub Stream: rtsp://admin:123456@ IP:554/media/live/1/2
- 3) Low resolution snapshot: http://IP/cgi/special.cgi?act=snapshot&stream=1
- 4) HD snapshot : http://IP/cgi-bin/snapshot.cgi?act=snapshot&stream=0
(some models support)

5. How to Add IP camera to NVR?

- 1) Make sure the NVR and IP camera are the same IP subnet.(eg. NVR:192.168.1.x, and IP camera:192.168.1.y)
- 2) Try changing the protocol to ONVIF

6. How to make the NVR record in motion detection mode?

- 1) change the NVR record mode to Motion Detection mode
- 2) check the NVR screen MD icon and try playback
Please refer to your NVR manual for NVR motion record option, camera also should enable motion detection.

7. Where can i control the PTZ zoom and move?

- 1) Using the camera's web interface
- 2) Control zoom by mobile app
- 3) Go to the setting tool configuration tab and select PTZ tab window
- 4) Find the PTZ menu in your NVR to control

8. Which kinds of third-party security software can be compatible with?

Milestone, Avigilon, Pelco VxToolbox, Blue Iris, iSpy, Synology, Digifort ...